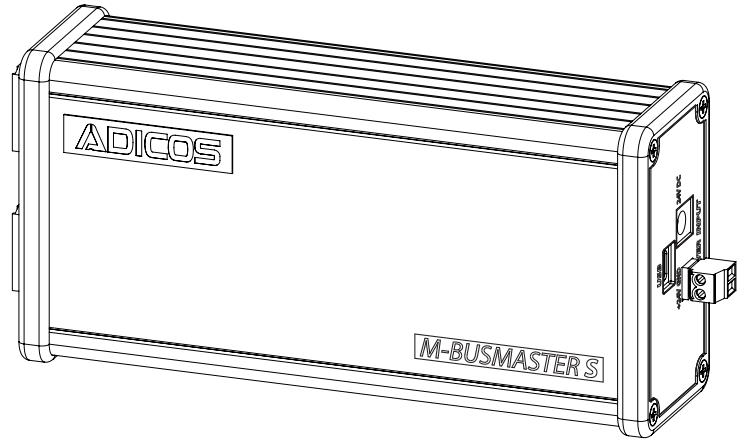


# M-BUSMASTER S

M-Bus Interface for ADICOS  
Special Fire Detectors



## Characteristics

- Sturdy design with aluminum extrusion enclosure
- Communication with up to 20 detectors
- Integrated overload protection
- USB interface for connection to service-PC with the ADICOS Central software
- Ethernet- and RS232-extension optional
- Central data archiving and visualization with service-PC
- Input for 24 V uninterruptible power supply
- Option for mounting a top hat rail bracket

## Applications

- Industrial plants, that are to be equipped with ADICOS special fire detectors
- For mobile use in case of service operations.
- Systems, in which the service-PC needs to be in a separate location than the master unit and a local area network connection is necessary

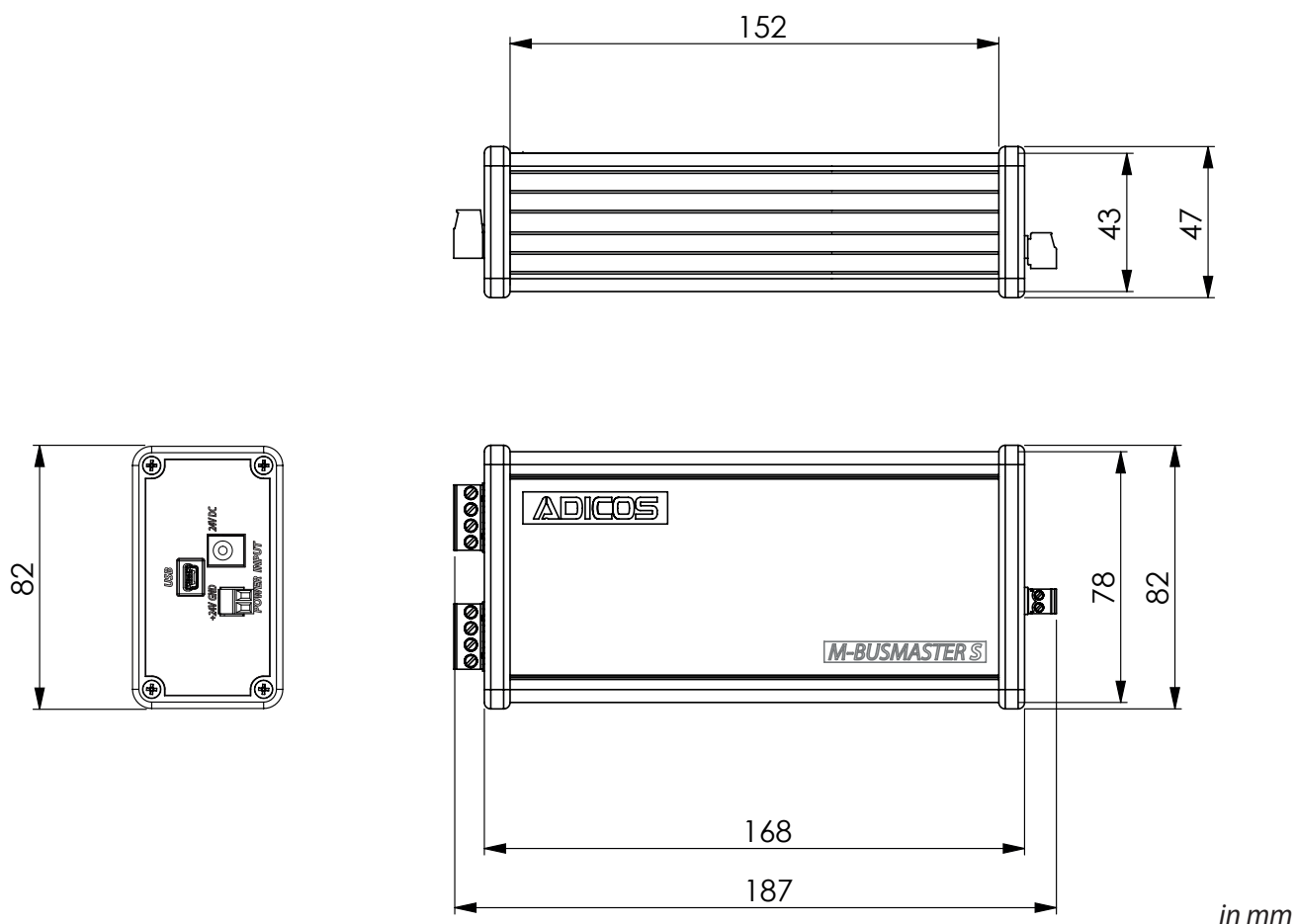
The ADICOS M-BUSMASTER S is the central interface of the Advanced Discovery System. It provides communication signals for up to 20 ADICOS detectors and forms the interface between the ADICOS installation and the service-PC. This connection is based on USB by default. Ethernet or RS-232 modules are available as an alternative.

In combination with the ADICOS Central Software, the service-PC allows a sophisticated monitoring of the state of operation of all detectors in the system. In addition to a system overview, each detector can be addressed individually for advanced data-logging and parametrization features. In this way alarm thresholds and sensitivities can be adapted perfectly to the atmosphere around the specific detector. Displaying and analyzing gas concentration curves or temperature gradients is also a key feature of the software.

The M-BUSMASTER S comes with a plug-in power supply, which is operated with AC 230 V mains. As an alternative it has an input for an uninterruptible power supply with DC 24 V. A top hat rail bracket is supplied and can be fitted if required.

# M-BUSMASTER S – Specification

## Mechanical dimensions



### Mechanical characteristics

Enclosure	Aluminum extrusion enclosure
Dimensions	82 mm x 43 mm x 187 mm (W x H x D) (Height: top hat rail bracket excluded, Depth: screw terminals included)
Weight	0.39 kg
Degree of protection	IP 20

### Thermal characteristics

Relative humidity	≤ 95 % (non-condensing)
Temperature range	-20 ... +50 °C

### Electrical characteristics

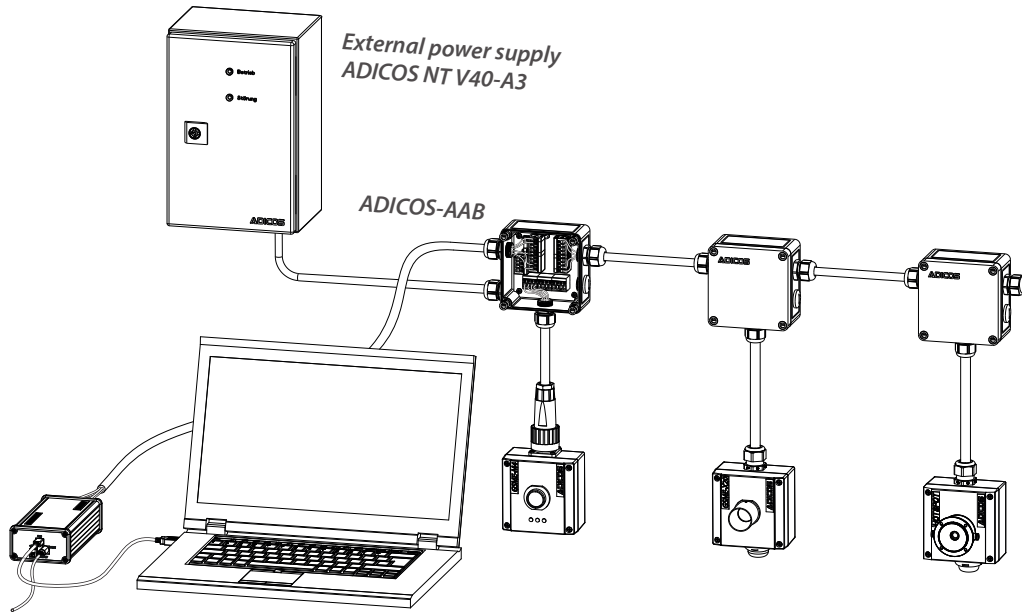
Mains supply voltage	22 ... 28.5 V
Power consumption	max. 36 W
Mains fuse	1.5 A (Polyfuse)
Max. 'Power Out connection'	0.1 A (Polyfuse) at DC 24/40 V
Max. Power cross section	2.5 mm <sup>2</sup>

### Communication characteristics

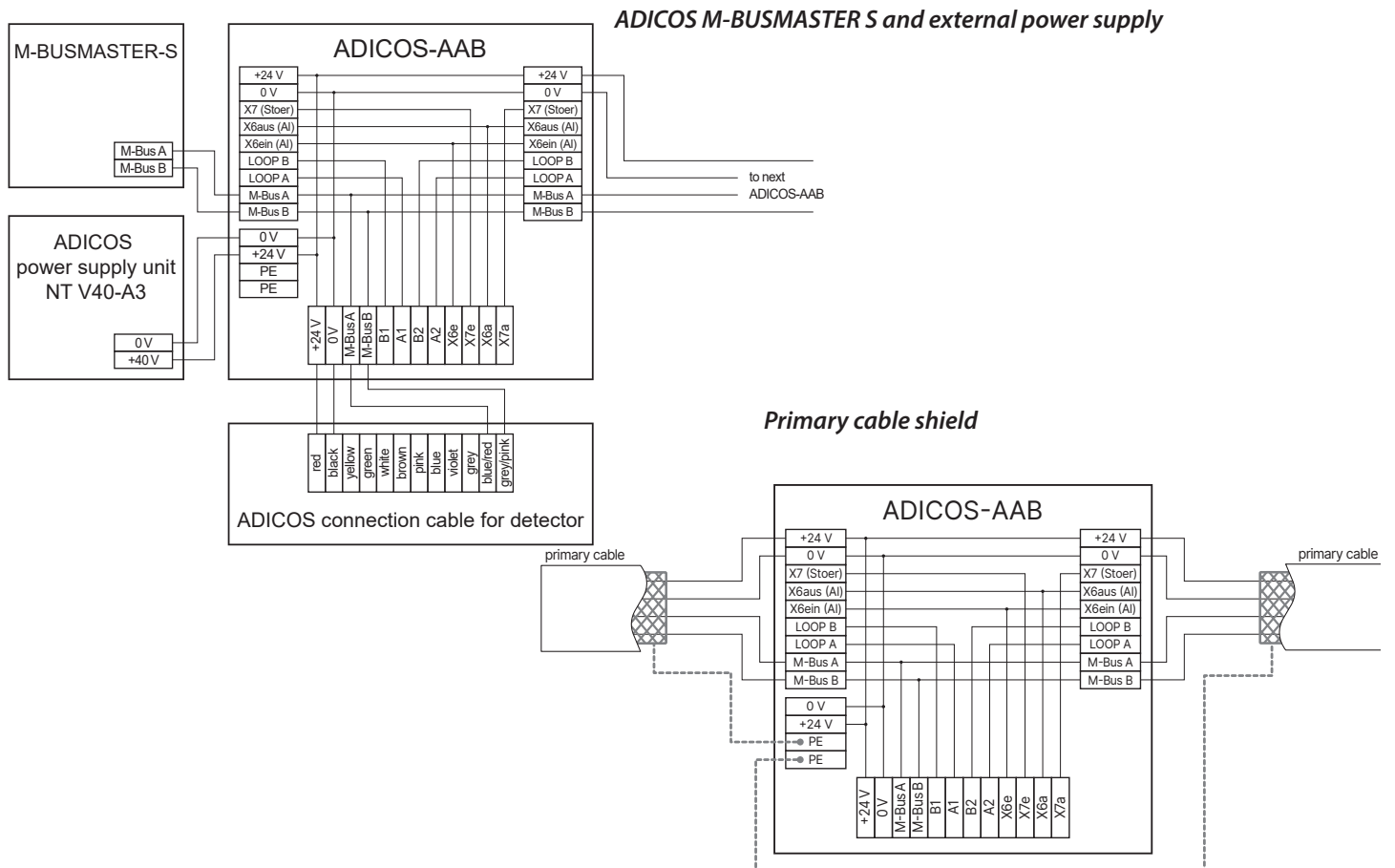
Protocol	ADICOS M-BUS
Max. amount of detectors	20
Interface variant RS-232	4800 baud
Interface variant USB	2.0 standard
Interface variant Ethernet	100 MBit

# M-BUSMASTER S – Application

## ADICOS topology concept



The wiring variants of the ADICOS M-BUSMASTER S differ depending on the system configuration and topology.



# M BUSMASTER S – Application

## Mounting a top hat rail bracket

Four screw holes for mounting a top-hat rail bracket are located on the back of the device:  
A bracket can be mounted horizontally or vertically as required.  
Use the screw holes for this purpose ① and ④ or ② and ③.

